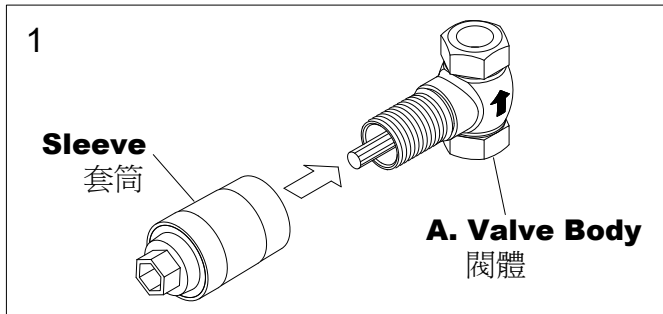


# INSTALLATION INSTRUCTIONS

## Water Valve

### 嵌牆式開關安裝說明

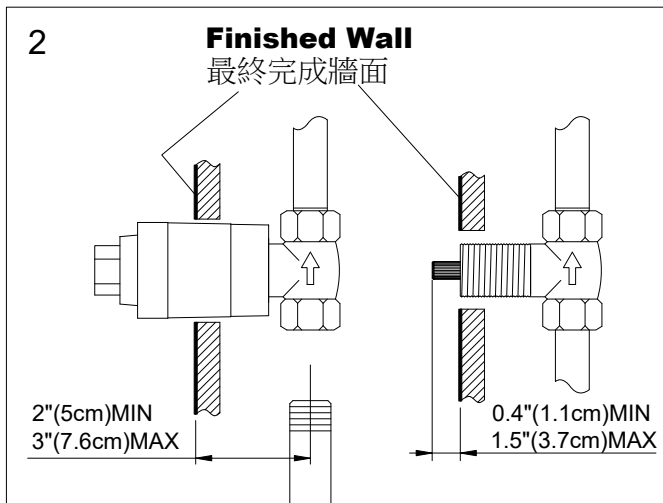


#### CAUTION : Risk Of Product Damage.

注意：為增加產品使用壽命，請依說明清潔供水管路。

When finished installation, turn the valve on and run for 1 minute before using.

完成安裝後，需在使用前先把供水開關全開排水持續一分鐘。

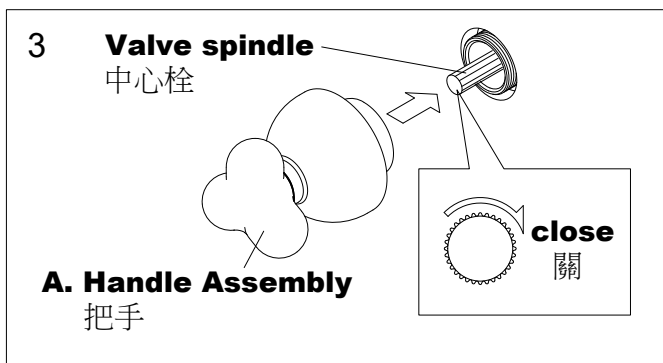


1. Use **Sleeve** to protect the cartridge and thread before installation.

使用套筒保護陶瓷中心栓及螺牙，必須在安裝程序前先套上。

2. Please note the distance from **Finished Wall** is between 2" (5cm) minimum and 3" (7.6cm) maximum; or keep the distance be 0.4" (1.1cm) to 1.5" (3.7cm) between top of cartridge and **Finished Wall** for necessary conditions.

安裝牆壁內本體時需預留的牆壁厚度，牆壁內本體與最終完成牆面的距離須保持在最小2" (5cm) 到最大3" (7.6cm) 之間，或陶瓷中心栓與最終完成牆面保持在最小0.4" (1.1cm) 到最大1.5" (3.7cm)，此為安裝必要條件。



3. Turn **Valve** clockwise to closed position before install the **Handle Assembly**. Press **Handle Assembly** onto **valve spindle** and securely hand tighten the **Handle Assembly** against finished wall.

先將開關順時鐘轉至關水位置。取把手組，組入中心栓。轉動把手座鎖入牙管並鎖緊，使把手組完全固定且貼合牆壁。

## FIXING CONTENTS

### 組配件內容

