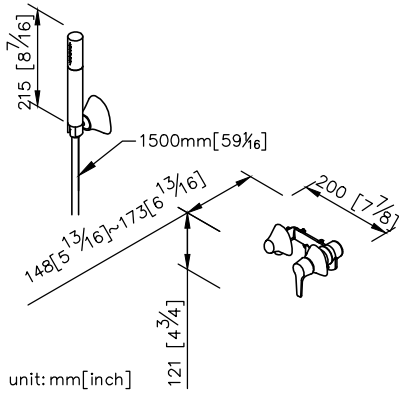


## Concealed Shower Mixer 7927-X3-81CP



- 1.Brass of casting body meets JIS 3604 standard.
- 2.Finish meets the standard of ASTM-SC2.
- 3.The body of valve should be buried in the wall beforehand with 1"(2.5cm) adjusting tolerance in depth.
- 4.Ceramic valve with CERAMTEC ceramic disc/(Germany). Ceramic valve pasts 500,000 times lifespan test.
- 5.Thread: G 1/2.
- 6.1.5 meter elastic shower hose can be extended. Shower hose with TPE flexible tube can stand 10Kg/cm2 water pressure and 70°C heat.
- 7.The optional check valve and flow restrictor could be added into the handshower.
- 8.Adjustable angle of the hand-shower bracket.

