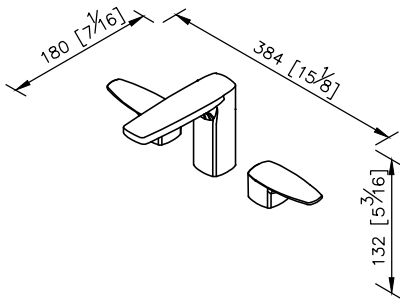


Two-Handle Basin Faucet 9779-91-80CP



unit: mm[inch]

1. Handle material meets JIS 3771 Standard.
2. Material of spout is lead-free copper.
3. Finish meets the standard of ASTM-SC2.
4. Ceramic cartridge with brass shell & Japan (MARUWA) ceramic disc.
5. Stainless steel braided hose with SANTOPRENE tube (meets NSF approval), can be stood 15Kg/cm² water pressure and 120°C heat.
6. Thread: G 1/2.
7. Aerator flow restrictor (2.2 GPM max.).
8. Coordinates with other products in Pan 2 collection.

