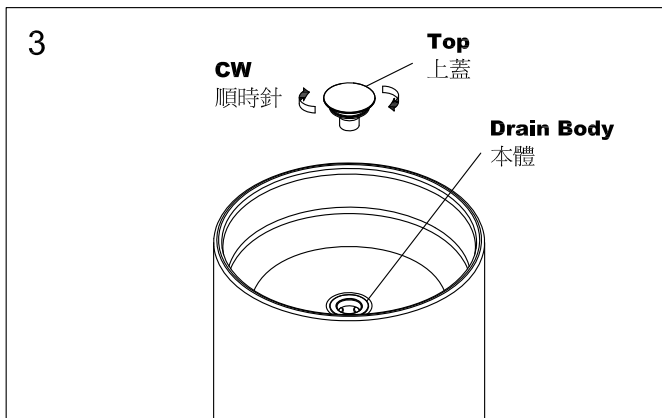
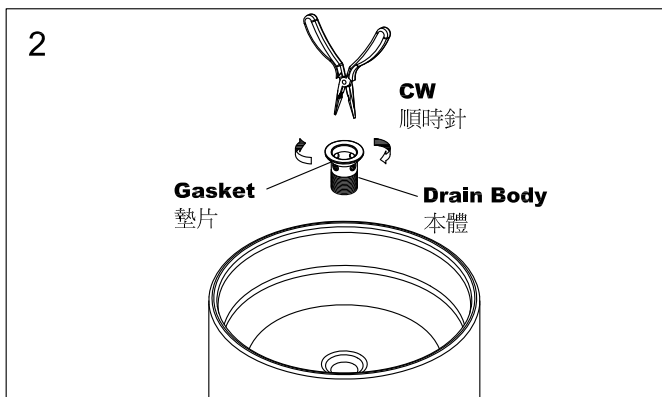
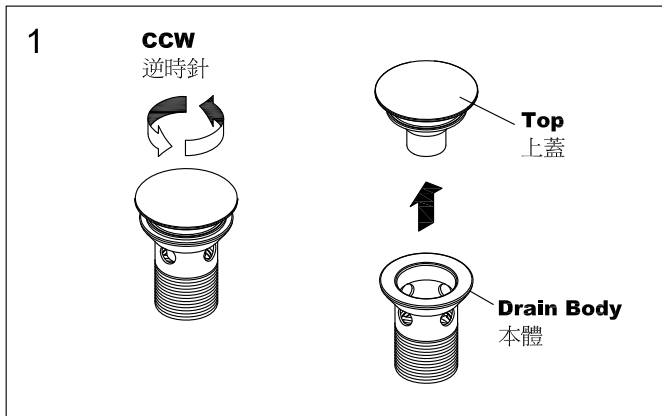


INSTALLATION INSTRUCTIONS

FREESTANDING BASIN

立柱盆安裝說明



1. Disassemble the **Top** counterclockwise from **Drain Body**.
先將水塞的上蓋以逆時鐘方向拆卸。
2. Fix **Drain Body** into the **Freestanding Basin**.
NOTE: Keep the **Gasket** between **Drain Body** and **Freestanding Basin**.
將水塞本體鎖入立柱盆中。
注意：墊片需置於本體與立柱盆之間。
3. Screw the **Top** clockwise to **Drain Body** to finish the installation.
將上蓋鎖入水塞本體即可。

FIXING CONTENTS

組配件內容

