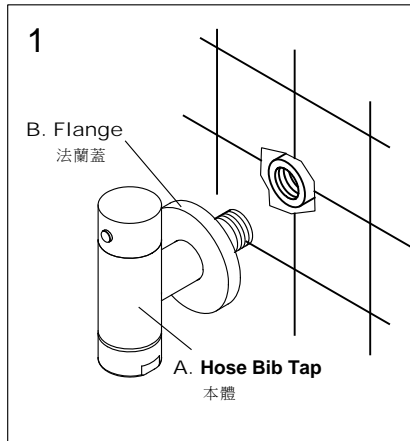


INSTALLATION INSTRUCTIONS

Hose Bib Tap

洗衣機/花園龍頭安裝說明



CAUTION : Risk Of Product Damage.

注意：為增加產品使用壽命，請依說明清潔供水管路。

When finished installation, turn the valve on and run for 1 minute before using.

完成安裝後，需在使用前先把供水開關全開排水持續一分鐘。

1. Applying Pipe compound or thread sealant tape to the 1/2" end, then screw **Hose Bib Tap** with Flange into wall water outlet.

將龍頭1/2"牙塗上管牙膠或包覆止洩帶，再連同法蘭蓋一起鎖入牆壁出水口。(圖.1)

2. Remove the Nut from Hose Bib Tap, pierce Hose through the Nut, and then screw the Nut with Hose onto the outlet of Hose Bib Tap as fig.2 shown.

如圖.2所示，轉下接頭，穿過水管，然後將水管套到出水口，再旋緊接頭。

Note :

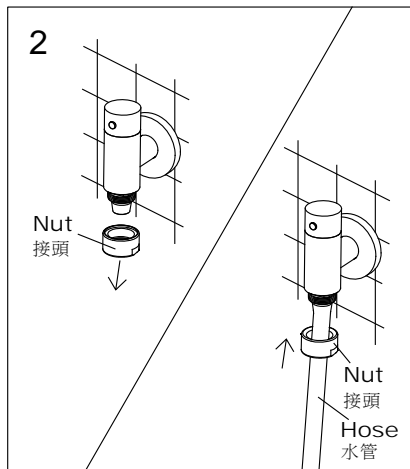
注意：

- a. Tighten the Nut to prevent Hose falling off outlet. (Use the tool for fastening the Nut if it is necessary.)

為了防止橡膠水管脫落，使用時要確實將接頭旋緊。必要時可使用工具輔助。

- b. Ensure to turn off the Tap after using to prevent the Hose from standing long term and high hydraulic pressure, especially use in the airtight water pressure, such as washing machine.

若使用於密閉水壓，如洗衣機。使用後應關閉水龍頭，避免橡膠水管長期承受水壓。



FIXING CONTENTS

組配件內容

