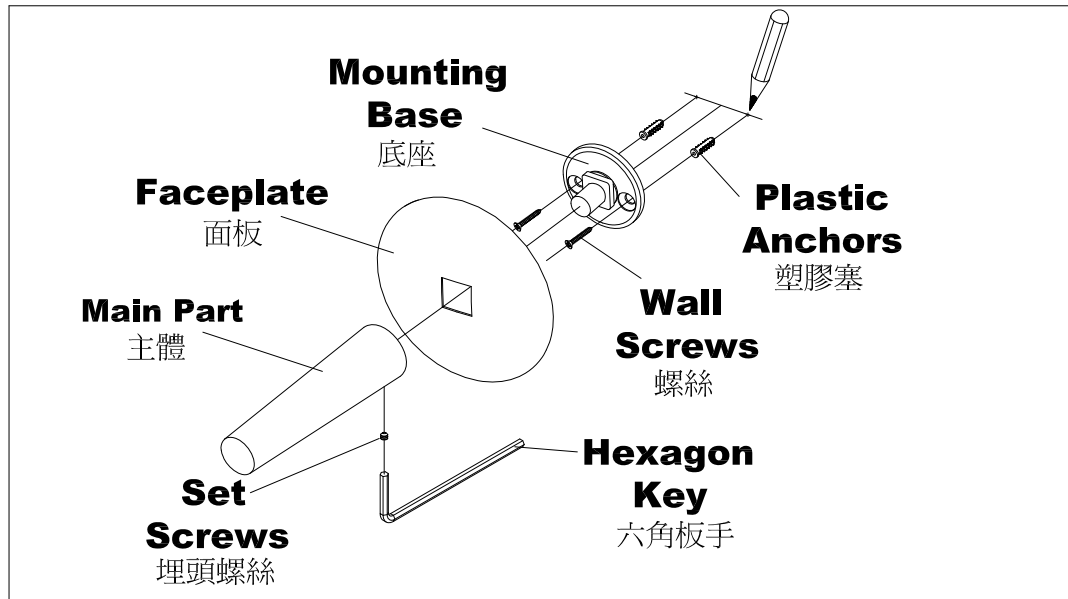


MOUNTING INSTRUCTIONS

6827 安裝說明

1. Loosen the **Set Screw** and disassemble the components for installation.
用隨附的六角板手將埋頭螺絲鬆開，使主體與底座分離。
2. Use **Mounting Base** as template to locate appropriate drilling centers with pencil. (Use paper template for towel bars.)
用底座為樣板用鉛筆點繪出要鑽孔的位置。(毛巾桿須用紙板為樣板)
3. Drill holes in your marked locations. When mounting on drywall, insert **Plastic Anchors**.
水泥牆在鑽孔後須使用隨附的塑膠塞。
4. Attach **Mounting Base** to wall with **Screws**.
將底座鎖在牆上，並確認已完全固定。
5. Place **Faceplate** over center stem of the **Mounting Base** and hold in place.
將面板套入底座。
6. Press the **Main Part** tightly over the center stem showing through the **Faceplate** and secure with **Hexagon Key**.
將主體穿過面板套入底座，再用六角板手將埋頭螺絲鎖緊，完成安裝程序。



6827 SERIES:

