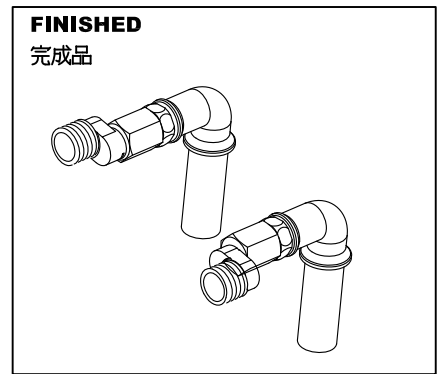
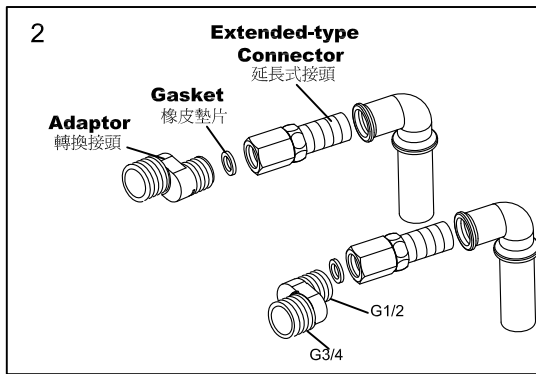
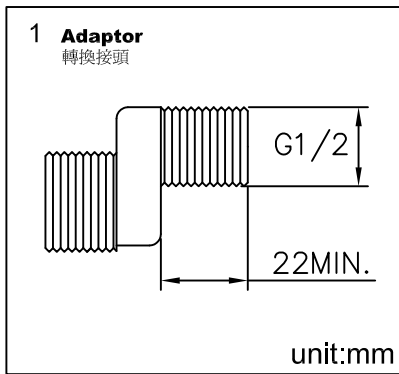
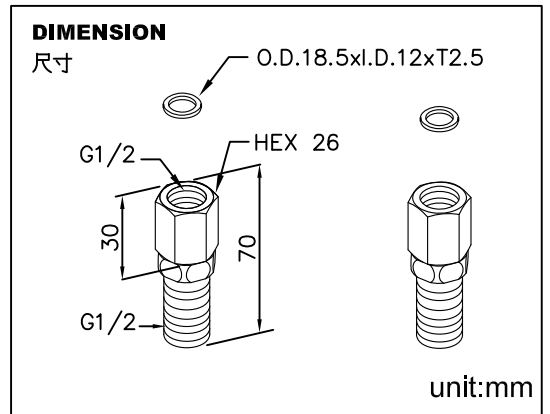


# INSTALLATION INSTRUCTIONS

6874-BC安裝說明

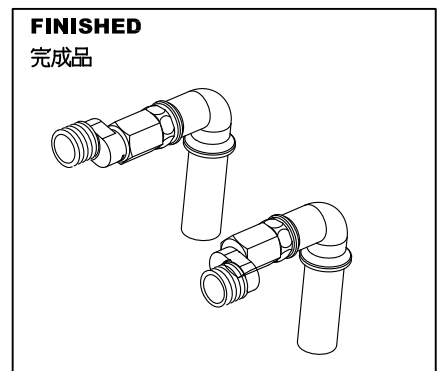
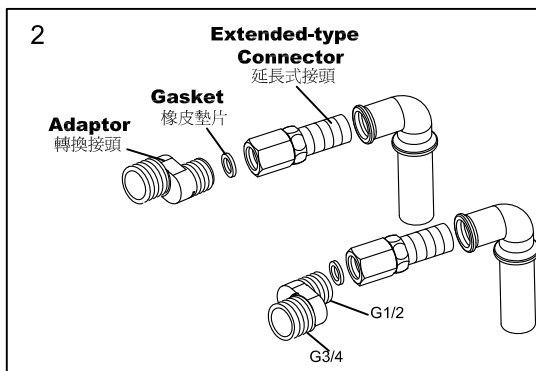
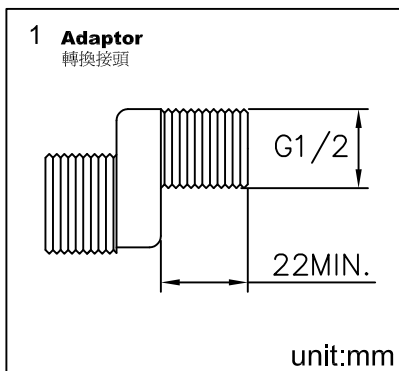


1. Select the appropriate **Adaptor** of the **Extended-type Connector**, as fig.1 shows.  
選擇適用的本延長式轉換接頭的壁式龍頭轉換接頭 如圖示1.
2. Apply pipe compound or thread sealant tape to the thread of G1/2 end of **Extended-type Connector**, and screw into water-outlet, then insert **Gasket** into each **Extended-type Connector**, as fig.2 shows.  
將延長式接頭G1/2牙塗上管牙膠或包覆止洩帶，再鎖入牆壁出水口，再將墊片置入延長式接頭內。如圖示2.
3. Apply pipe compound or thread sealant tape to the thread of G1/2 end of **Adaptor**, and screw into **Extended-type Connector** on wall.  
將轉換接頭G1/2牙塗上管牙膠或包覆止洩帶，再鎖入延長式接頭。



# INSTALLATION INSTRUCTIONS

6874-BC安裝說明



1. Select the appropriate **Adaptor** of the **Extended-type Connector**, as fig.1 shows.  
選擇適用的本延長式轉換接頭的壁式龍頭轉換接頭 如圖示1.
2. Apply pipe compound or thread sealant tape to the thread of G1/2 end of **Extended-type Connector**, and screw into water-outlet, then insert **Gasket** into each **Extended-type Connector**, as fig.2 shows.  
將延長式接頭G1/2牙塗上管牙膠或包覆止洩帶，再鎖入牆壁出水口，再將墊片置入延長式接頭內。如圖示2.
3. Apply pipe compound or thread sealant tape to the thread of G1/2 end of **Adaptor**, and screw into **Extended-type Connector** on wall.  
將轉換接頭G1/2牙塗上管牙膠或包覆止洩帶，再鎖入延長式接頭。

