

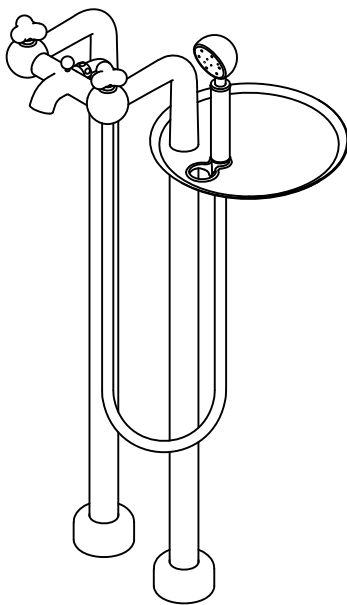
INSTALLATION INSTRUCTIONS

Floor-Mounted Bath Mixer

立地式浴缸龍頭安裝說明

Applicable Product Number:

適用產品型號:



6903-U2-80CP

CARE & CLEANING

清潔與保養

CAUTION : This product might be damaged by improper installation, acid cleaning solution, misuse, improper care and cleaning.

1. Always follow the INSTALLATION INSTRUCTIONS provided and use extreme care while installing.
2. Do not use acid cleaning solution or abrasive cleaner (Ex: Hydrochloric acid or toothpaste); test your cleaning solution on an inconspicuous area before applying to the entire surface.
3. Wipe surfaces clean and rinse completely with water immediately after applying cleaner. Do not soak with cleaners. Rinse and dry any overspray that lands on nearby surfaces.
4. Use a dampened sponge or cloth to clean surface. (Do not use abrasive material such as brush or scouring pad.)

注意：此產品有可能因為不當安裝，誤用酸性清潔劑或清潔方式不正確而造成產品受損。

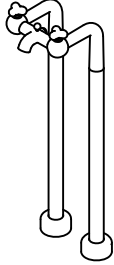
1. 產品安裝時必須依照產品所附的安裝說明和操作方式安裝。
2. 不可使用含有酸性或具研磨效果的清潔劑清洗（例如：鹽酸、牙膏），請先在產品較不顯眼的地方測試您的清潔方法，然後再應用到整個表面。
3. 產品塗佈清潔劑後，應立即擦拭除污，用清水沖洗，並擦乾產品和檯面。切勿讓清潔劑在產品表面浸濕潤漬過久。
4. 請使用濕海綿或乾淨棉布擦拭產品表面。（不可使用會刮傷或具研磨材質的刷子及鋼刷）。

FIXING CONTENTS

組配件內容

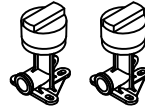
A. Mixer Body X 1

龍頭本體



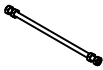
B. Shoe Elbow Stand X 2 (With Plastic Guard)

固定座(含保護蓋)



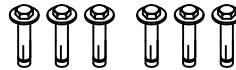
C. Connecting Stick X 1 (With Lock-nuts)

連接桿(含螺帽)



D. Stainless Steel Anchor X 6

膨脹螺絲



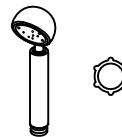
E. Hexagon Key X 1

六角扳手



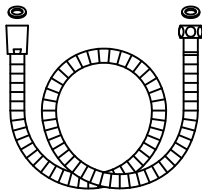
F. Hand Shower X 1 (with Tool)

手持花灑&工具



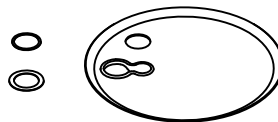
G. Shower Hose X 1

蛇管



H. Shelf X 1 (with washer)

置物盤(含墊片)



INSTALLATION NOTE

安裝注意事項

⚠ **CAUTION : Please read the following point carefully before Installation.**

* Ensure the available distance between bottom of **Shoe Elbow Stand** and floor should be 8cm~10.5cm when paving (please find the scale of **Plastic Guard** for reference).

⚠ **CAUTION : Risk of product damage.**

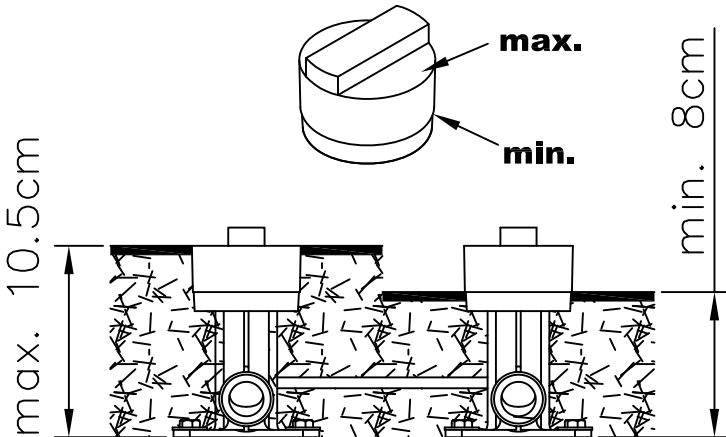
* When finished installation, turn the valve on and run water for 1 minute to remove any debris before using.

⚠ 注意：安裝前，請詳閱下列注意事項。

* 本產品適用地板高度為8cm~10.5cm之間，鋪地板時，可參考保護蓋的刻痕。

⚠ 注意：為增加產品使用壽命，請依說明清潔供水管路。

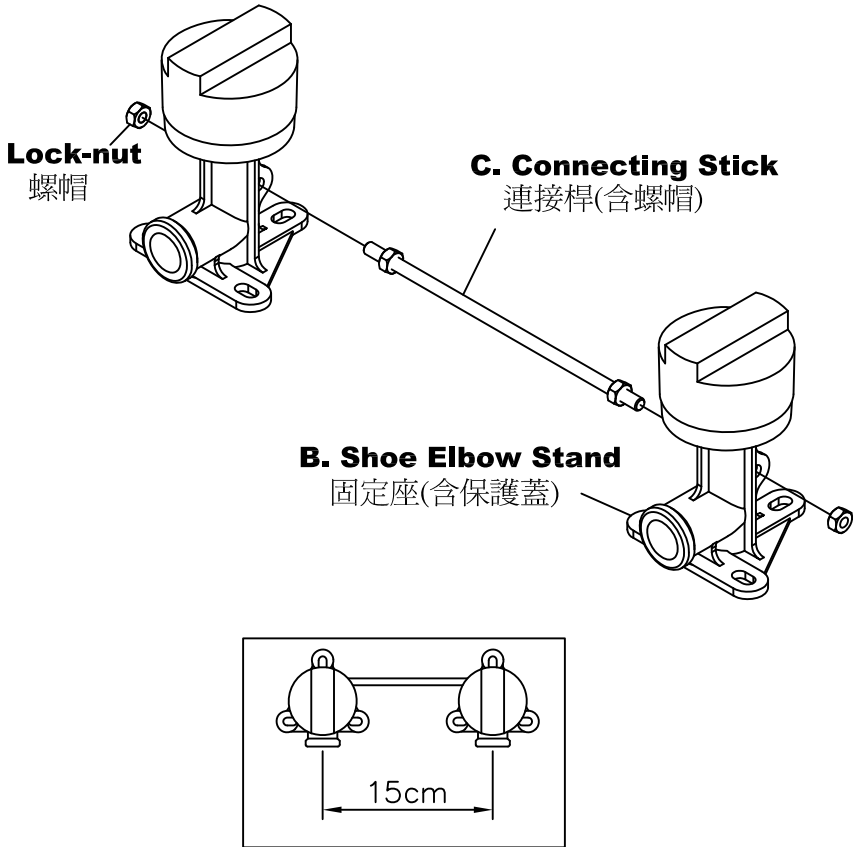
* 完成安裝後，需在使用前先把供水開關全開排水持續一分鐘，去除雜質，以保持管路清潔。



INSTALLATION INSTRUCTIONS

安裝說明

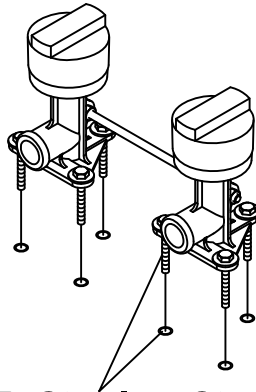
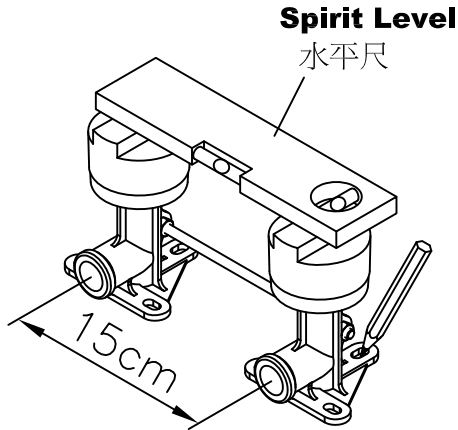
1



* Connect two **Shoe Elbow Stands** with **Conneting Stick**. Keep the distance of two **Shoe Elbow Stands** be 15cm(6")

* 取下連接桿外側的螺帽，與固定座組合，組合後固定座需確認中心距為15cm(6")。

2



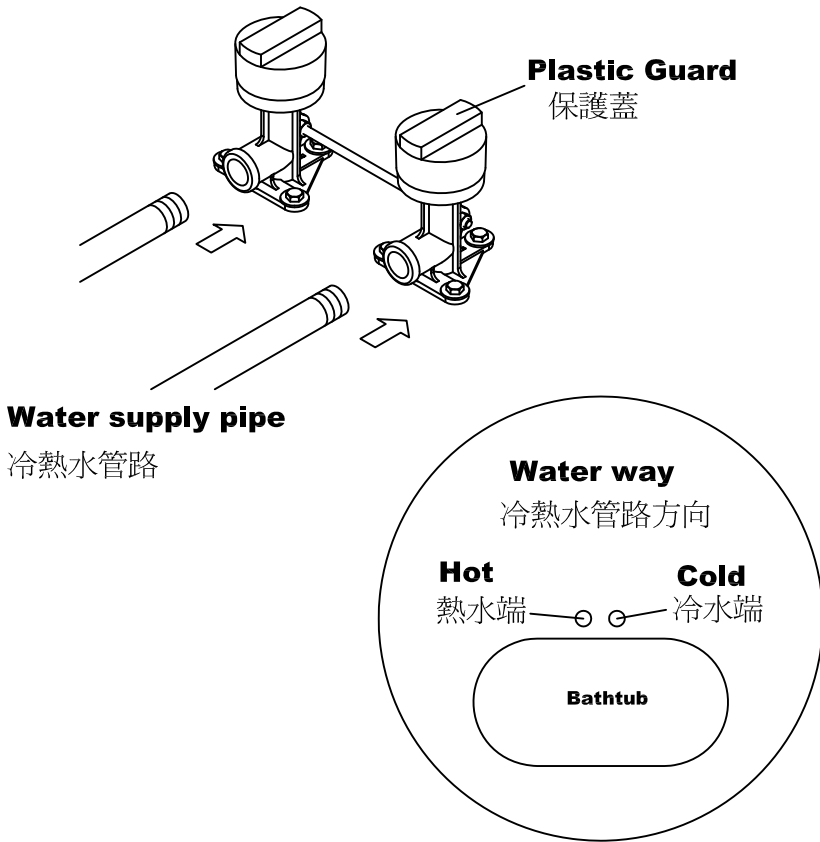
D. Stainless Steel Anchor

膨脹螺絲

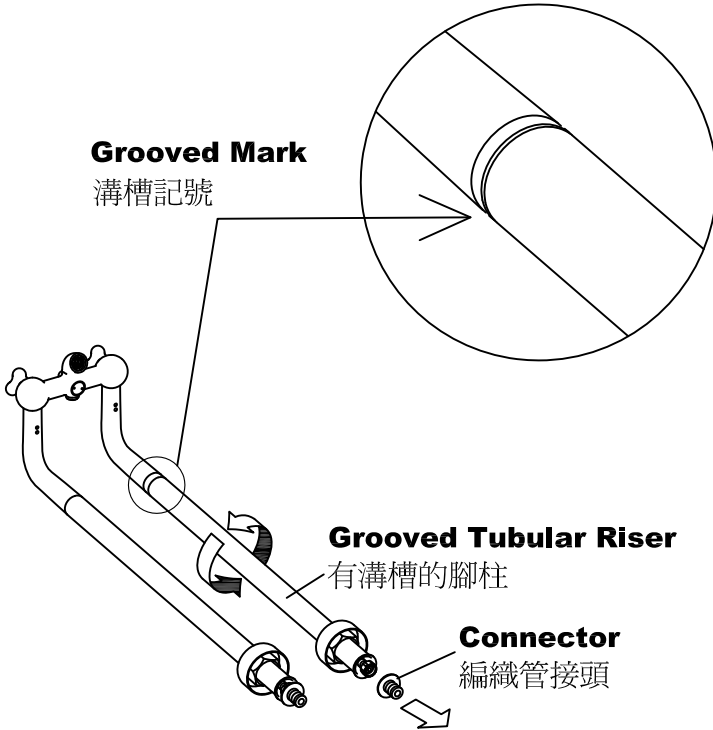
* Fixing the **Shoe Elbow Stands** on the floor with provided **Stainless Steel Anchors**, ensure both of the two **Shoe Elbow Stands** are level and at a distance of 15cm(6").

* 使用膨脹螺絲將固定座緊固於地面，需先確認水平無誤，並且中心距為15cm(6")。

3



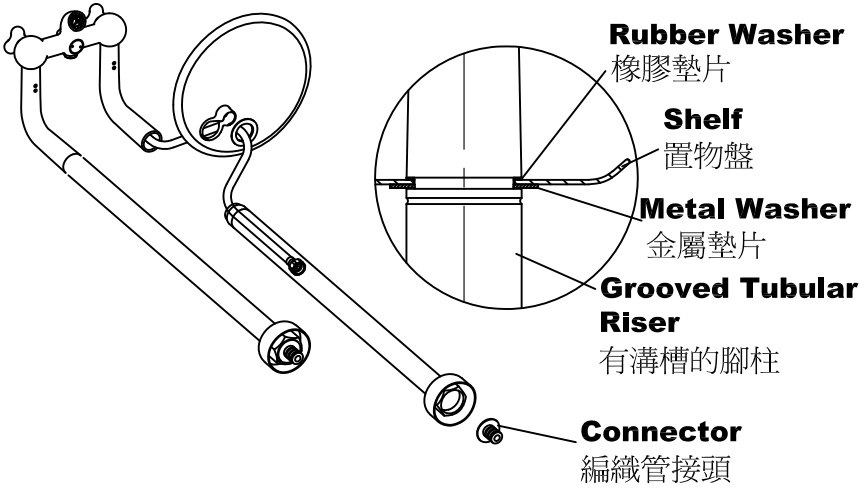
1. Connect the water supply pipe with **Shoe Elbow Stand** and ensure the related position of hot/cold water supply and bathtub.
 2. **Caution:** Tighten the **Plastic Guard** while in water pressure testing process.
1. 接上冷熱水管路，需注意冷熱方向與浴缸的相關位置。
2. 注意：試水時，需確實鎖緊塑膠保護蓋。



* Remove the **Connector** and **Grooved Tubular Riser** from **Mixer Body** before install the **shelf** as figures shown.

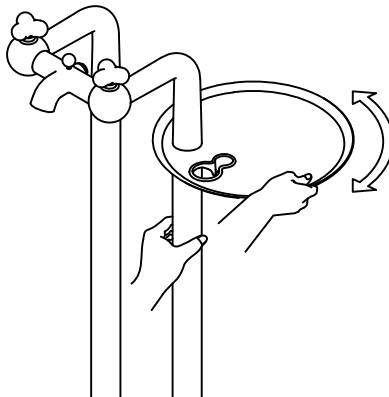
* 將本體有溝槽記號的腳柱下方的編織管接頭拆下，並將該支腳柱以逆時針方向旋轉取下，並抽出不銹鋼編織管。

5

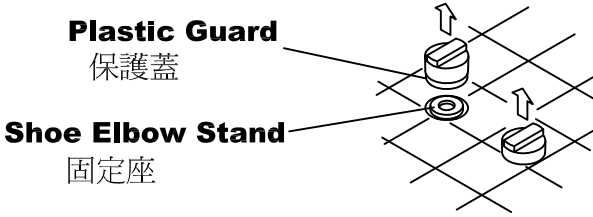


* Feed the **Braided Hose** through the **Rubber Washer**, **Shelf**, **Metal Washer** and **Grooved Tubular Riser**, then tighten the **Grooved Tubular Riser** to the **Mixer Body** and secure the **connector** with the Braided Hose. (Note: Rotate the Shelf to proper position before tighten the **Grooved Tubular Riser** if request.)

* 依圖示將不銹鋼編織管依序穿過橡膠墊片、置物盤、金屬墊片，然後將有溝槽的腳柱以順時針方向組合，夾緊橡膠墊片、置物盤、金屬墊片，使置物盤固定在本體上。（可於鎖緊本體腳柱之前自行調整置物盤方向，然後再鎖緊本體腳柱將置物盤固定。）

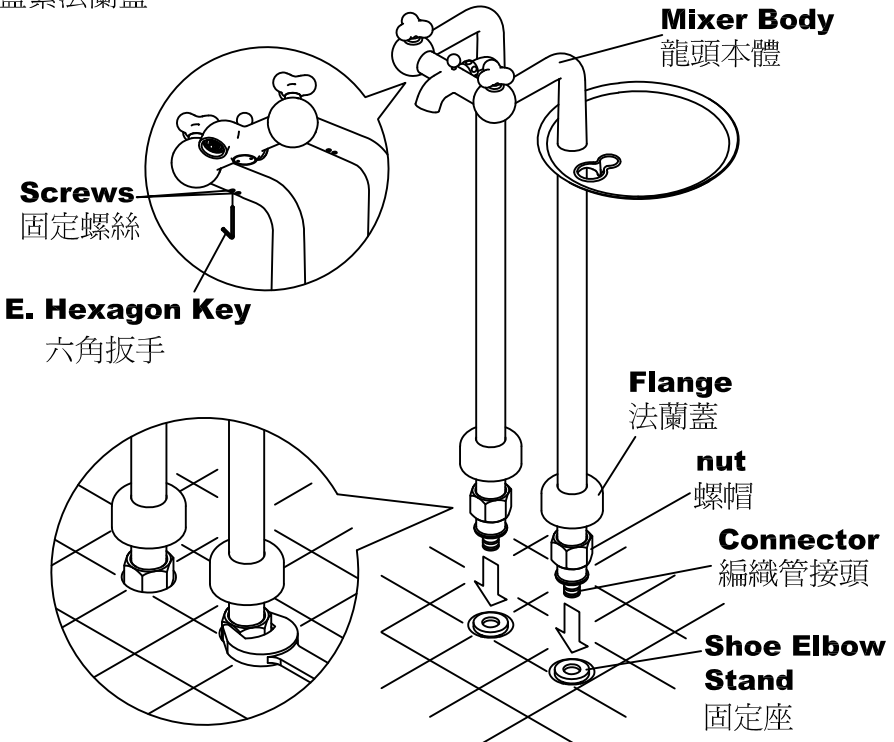


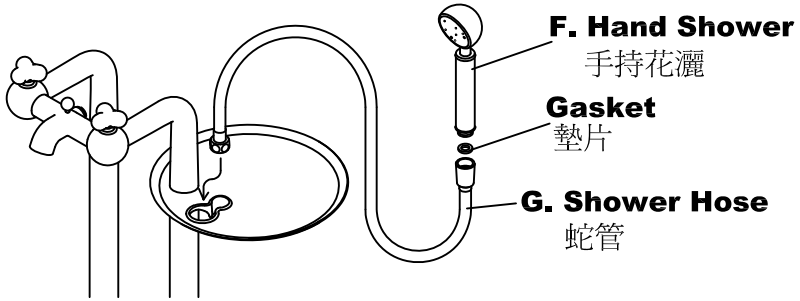
6



1. Remove the **Plastic Guards** and insert the **Connectors** into the **Shoe Elbow Stands**, then tighten the **Nuts** with the **Shoe Elbow Stands** to fix the **Mixer Body** on the floor.
2. Ensure the **Set Screws** are tighten on the **Mixer Body** as figure shown.
3. Press the **Flanges** against floor.

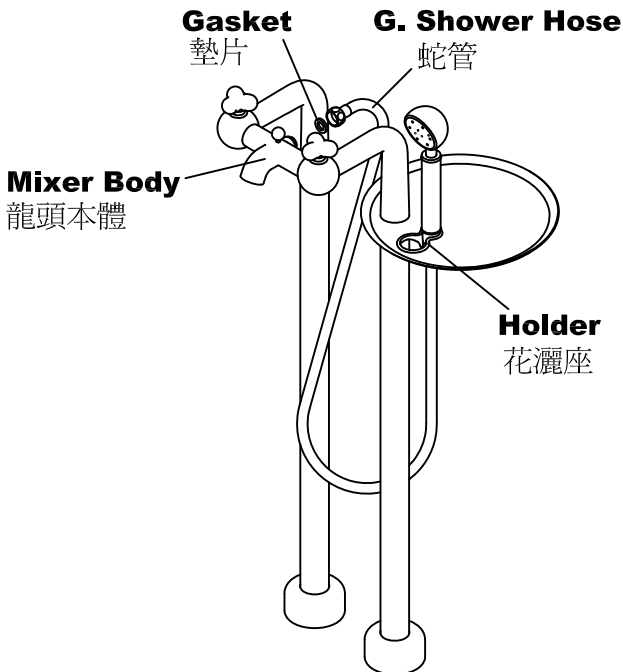
1. 取出保護蓋，然後將本體腳柱對準固定座，使編織管接頭插入固定座內，使用工具鎖緊螺帽，使龍頭穩固的立於地面。
2. 如圖所示，使用六角扳手鎖緊固定螺絲。
3. 蓋緊法蘭蓋。





* Connect **Shower Hose** to **Mixer body** and **Hand Shower**.

* 將蛇管連同墊片連接在手持花灑與龍頭本體。



WARRANTY

Sheng Tai Co., Ltd. offer a three-year warranty on all of the Faucets & Bathroom Accessories from date of purchasing. The warranty covers any defect in material and workmanship during normal residential use. The following conditions of defect are charged for maintaining.

- Damage caused by accident, misuse, improper care and cleaning.
- Improper using or installation.
- Defects because of the external factors, such as erodent environment (ex. Seashore or mineral spring.), animal bites or dead body remains in product etc.
- Defect because of sand or impurity stuck in faucet water way.
- Using water not adhered to the regulations of national standard.
- Deficiency caused by freeze.
- Not showing this warranty card.
- Not filling out in the blank of name of customer, date of purchase, cost of purchase, company of installation (retail store) and stamp on warranty card.
- Sheng Tai Co., Ltd. is not responsible for labor charges, installation, or other incidental or consequential costs.

勝泰衛材股份有限公司提供所有的水龍頭及浴室配件，從購買之日起三年保固。保固範圍包括在一般住宅正常使用的期間，發現產品有任何材質和加工上的瑕疵。如瑕疵有下列情形，將收取維修費用。

- 因意外事故、不當操作使用，不當的保養維護和清洗所造成的損害。
- 不當使用或安裝。
- 外在因素造成產品的瑕疵，如易造成侵蝕的環境（如濱海或溫泉地區）、動物嚙咬或屍體存在於產品內造成的損壞。
- 因砂子或雜質卡住水龍頭水路造成的損壞。
- 沒有依循國家標準的規定使用水源造成的損壞。
- 因冰凍造成的水量不足。
- 未出示此保固卡。
- 未在空白處填寫客戶名稱，購買日期，購買成本，安裝公司（零售商店），及保證卡上未蓋章。
- 勝泰衛材股份有限公司不負責工人費用，安裝，或其他附帶或間接產生的費用。

Customer	Name		Tel	
	Address			
Product	Serial No.		Name	
	Warranty	Three year from date of purchase.		
Purchase place	Store		Tel	
	Address			
Purchase Date				
Purchase Price				

JUSTIME
www.justime.com

SHENG TAI BRASSWARE CO., LTD.

No.99 Sec.3 Chang Tsao Rd. Ho Me, Chang Hua, Taiwan

508 台灣彰化縣和美鎮彰草路3段99號

TEL: +886-4-7629971~4

FAX: +886-4-7526980

E-mail: shengtai@ms10.hinet.net

Facebook: www.facebook.com/JUSTIME