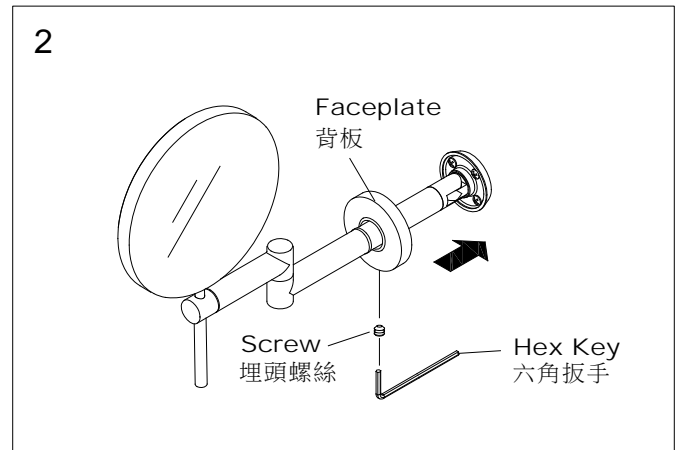
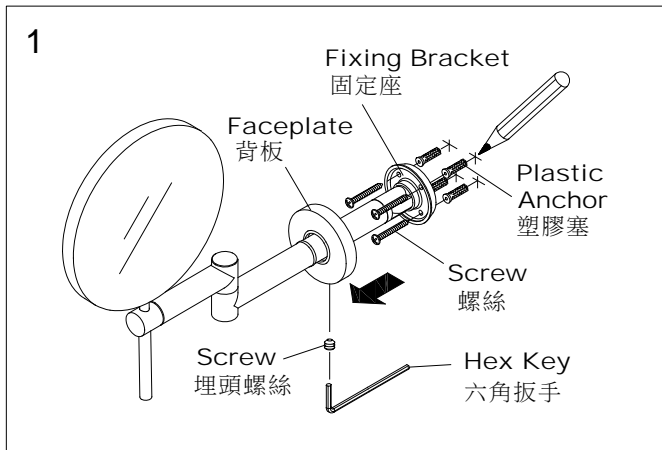


INSTALLATION INSTRUCTIONS

2.5X Magnifying Mirror W/Telescopic Arms

壁式旋轉雙臂放大鏡組

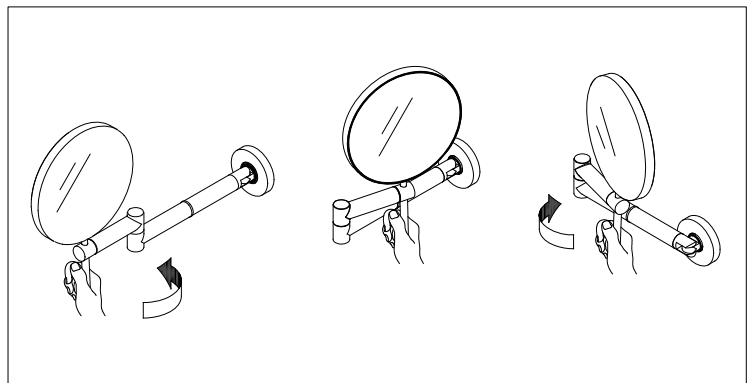
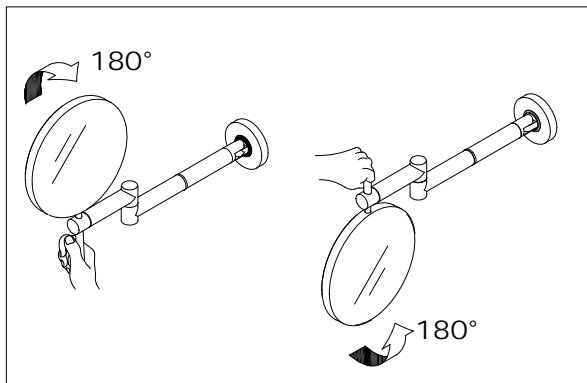


1. Loosen the Set Screw under the Faceplate with provided Hex Key, and move forward the Faceplate to gain the space of installation. Select the proper position for product and mark the centers of mounting holes on wall by using a spirit level and refer to the actual product for distance among holes.
用隨附六角扳手鬆開背板下方的埋頭螺絲，將背板往前移。選取預定安裝的位置，並在牆壁上畫上預定鑽孔記號，並確認鑽孔的位置是在同一水平線上，用產品比對確認鑽孔的距離。

2. Using a 6mm drill-bit, drill the holes at marked positions to 4cm depth. Insert the Plastic Anchors to the holes and make them be flush with wall, well fix the Fixing Bracket with Screws. Cover the Fixing Bracket with Faceplate and tighten the underneath Set Screw to finish the installation.
當安裝在水泥牆，使用6mm鑽頭，鑽孔深度4公分，嵌入塑膠塞並使之齊平於牆面，將固定座以螺絲鎖緊在牆上，將背板套回固定座，再鎖緊下方的埋頭螺絲，完成安裝程序。

OPERATING

操作方式



FIXING CONTENTS

組配件內容

