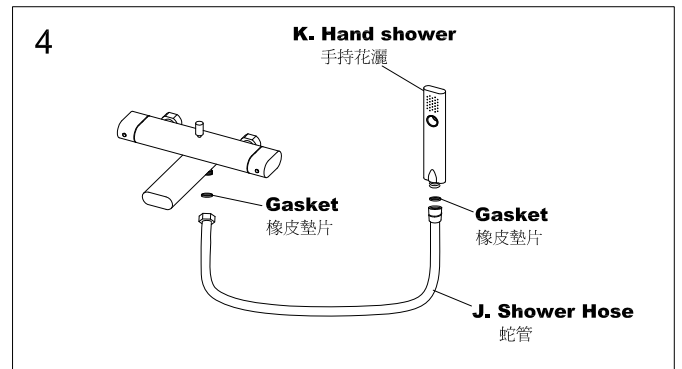
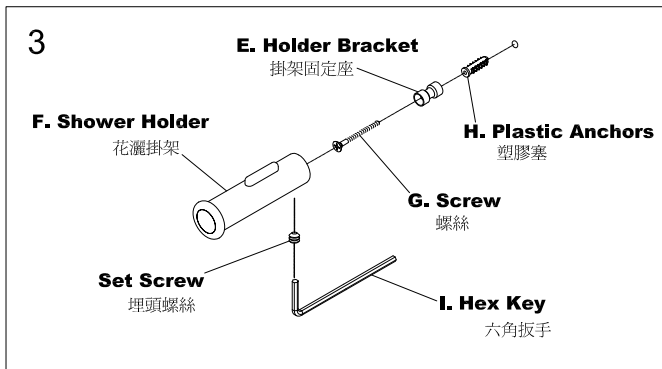
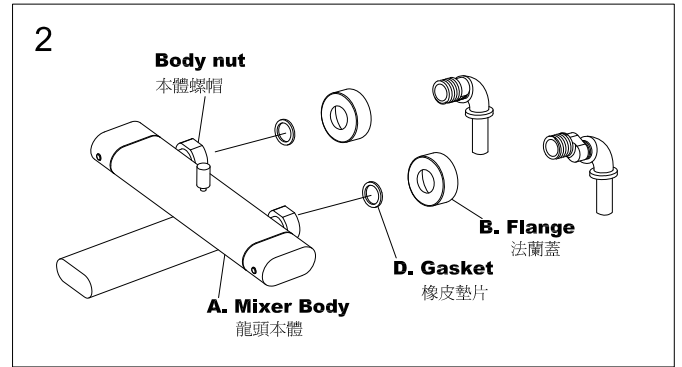
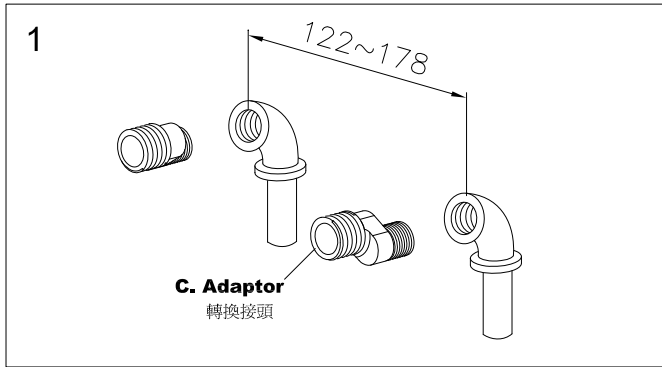


# INSTALLATION INSTRUCTIONS

## Bath / Shower Mixer 淋浴龍頭安裝說明



### CAUTION : Risk Of Product Damage.

注意：為增加產品使用壽命，請依說明清潔供水管路。  
 When finished installation, turn the valve on and run for 1 minute before using.  
 完成安裝後，需在使用前先把供水開關全開排水持續一分鐘。

- The available distance between two centers of wall water-outlet can be 122~178mm. Apply pipe compound or thread sealant tape to the thread of **Adaptor** 1/2" end, and screw it into wall water-outlet as Fig.1 shown.  
 凡牆壁上冷熱出水孔中心距離在122~178mm者，皆可適合安裝本產品。將轉換接頭1/2"牙塗上管牙膠或包覆止洩帶，再鎖入牆壁出水口，如 Fig.1 所示。
- Cover **Flanges** onto both 3/4" end of **Adaptors**, then insert **Gaskets** into each body-nut and screw the body-nut onto **Adaptors** 3/4" end and tighten fixed as Fig.2 shown.  
 將2法蘭蓋各別裝上轉換接頭的3/4"那邊，然後將墊片各別裝入本體螺帽，並且將本體螺帽鎖在轉換接頭3/4"那端鎖緊固定住如 Fig.2 所示。
- Using **Holder Bracket** as a template at proper position mark and drill, then insert **Plastic Anchors** flush with wall, fix **Holder Bracket** on the wall . Install the **Shower Holder** over the **Holder Bracket** and tighten **Set Screw** as Fig.3 shown.  
 利用掛架固定座在牆壁上適當的位置做記號並鑽孔，嵌入塑膠塞使之齊平於牆面，將固定座以螺絲鎖緊在牆上，將花灑掛架套進掛架固定座後，再鎖緊下方的埋頭螺絲。
- Connect **Shower Hose** with gasket to **Mixer Body** and **Hand Shower** as Fig.4 shown.  
 將蛇管含墊片固定在龍頭本體與手持花灑。如 Fig.4 所示。

## FIXING CONTENTS

### 組配件內容

